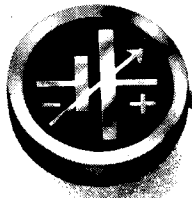


INSTRUCTION MANUAL



KEPCO

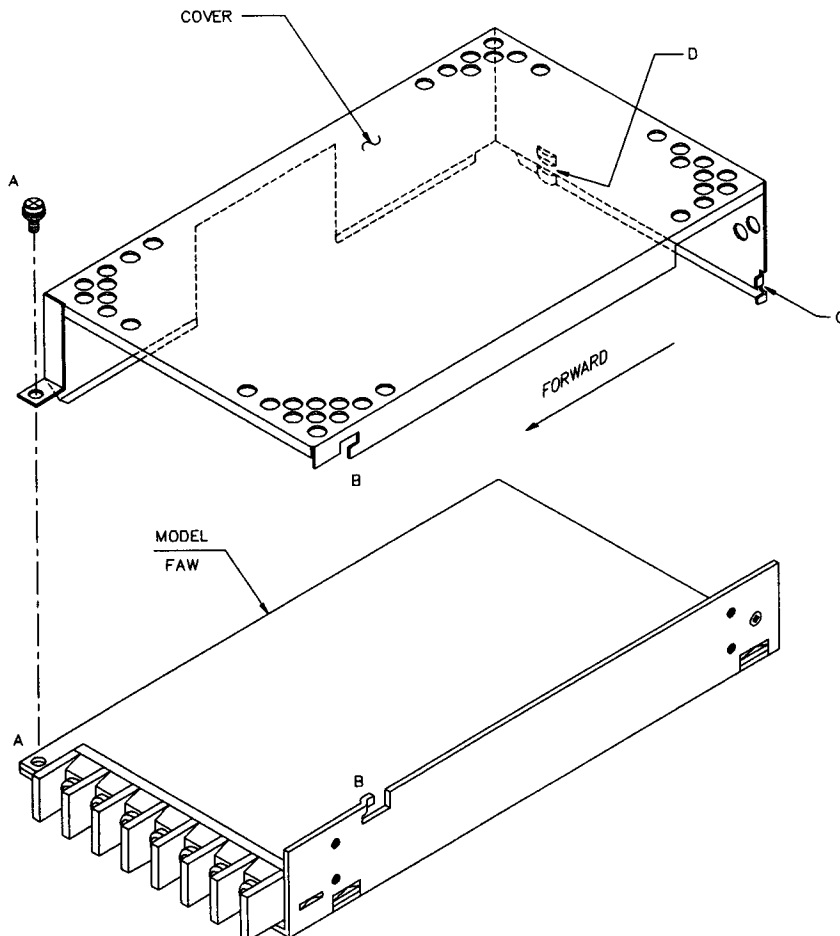
CA-27
COVER

ENCLOSURES AND HARDWARE SYSTEMS

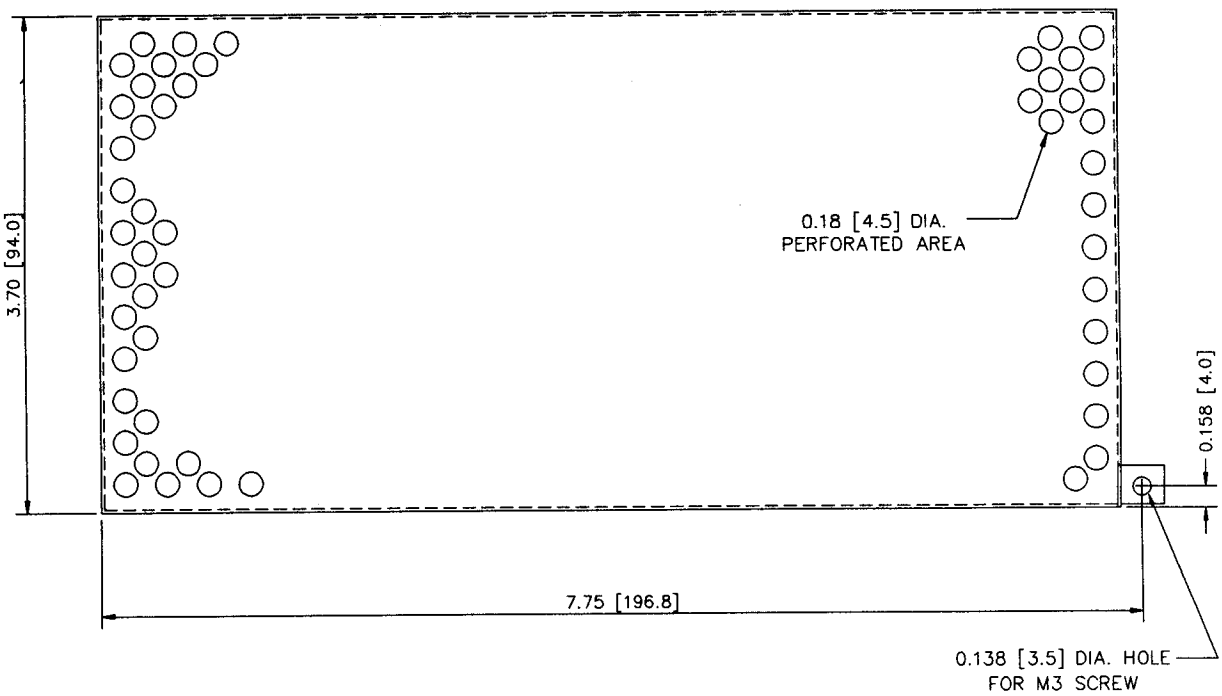
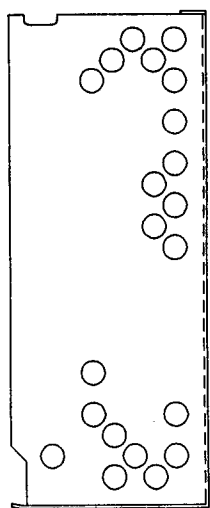
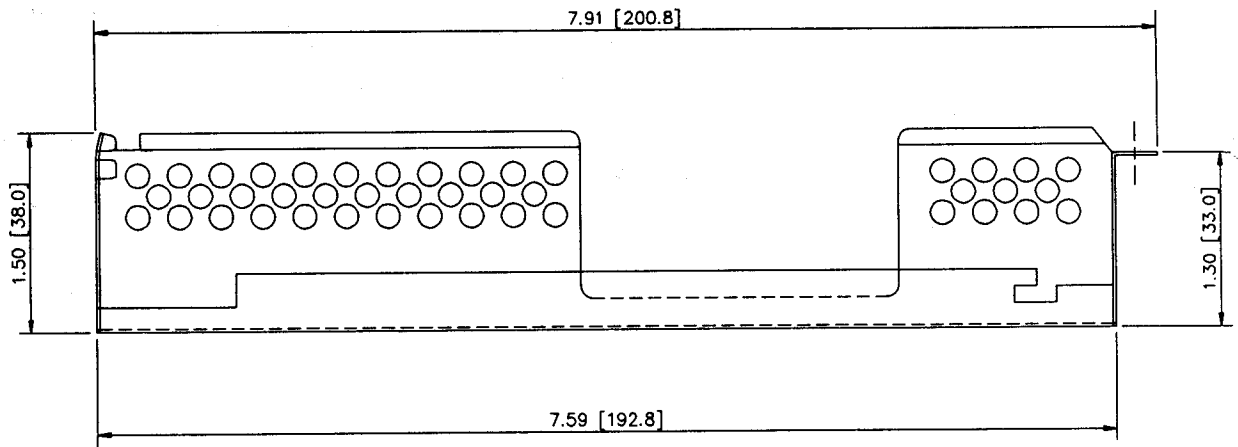
Description: The Kepco Model CA-27 cover is supplied for use with the Kepco FAW 100 Watt series of switching power supplies. The easily installed finished steel one-piece cover is a separate option designed for shielding and protection. The cover is attached with one screw from the FAW 100W PCB Mounting.

Installation:

1. Remove PCB mounting screw marked (A) along with lock-washer and flat-washer, and set aside.
2. Attach cover: Engage the cut-out marked B on the cover with the tab marked B on the FAW 100W chassis, apply a slight downward pressure at this interlock point and push the cover forward. When the CA-27 cover is properly installed, the PC board will fit into slit D (positioned between two dimple-like hinges) and slit C (positioned between two tab-like cut-outs). The mounting hole in the cover (A) will then line up with the mounting hole in the FAW 100W PC Card marked (A).
3. Fasten cover with screw marked (A).



COVER INSTALLATION



NOTES:

1. MATERIAL: 0.036 (0.9) CRS.
2. FINISH: ZINC PLATED, CHROMATE WASH.
3. DIMENSIONS: IN PARENTHESIS ARE IN MILLIMETERS, OTHERS IN INCHES.
4. TOLERANCE: ± 0.04 (± 1) UNLESS OTHERWISE SPECIFIED.

MECHANICAL OUTLINE DIAGRAM OF THE CA-27 COVER